

FLAT LED PROJECTOR FOR SWIMMING POOL – COLOR LIGHTING



Model : **502877**

Type : 90 LED 3528 / 120°

Color : 30R, 30G, 30B

Control : On/Off and 433Mhz radio remote

Functions : 11 static colors et 5 programs

Material : Fixture and lens in polycarbonate (PC), ring in ASA

1,5" threat to screw in vacuum fitting

Wire connection : 2 screw terminals

2 meters H07RNF wire 2x1,5mm²

HS code : 9405421000

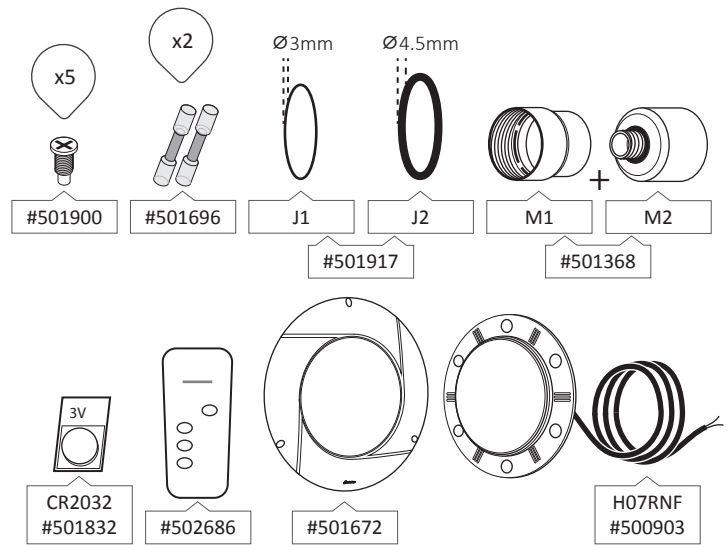
Bar code : 3700450502877

Option :

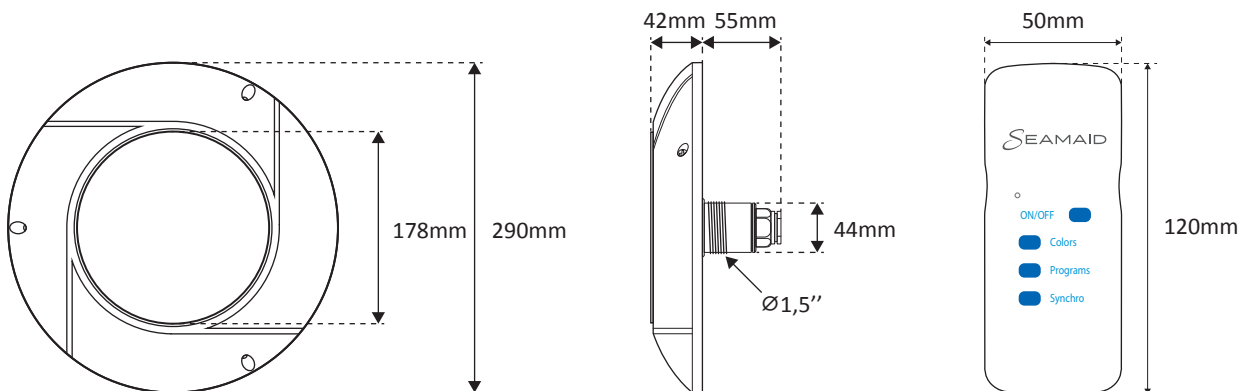
- Above ground pool installation kit (#501009)



CONTENTS OF THE PACKAGING



DIMENSIONS



PACKING

Part Number	Box	Weight	Size	Carton	Weight	Size	Pallet	Weight	Size
502877	1U	1,52kg	30x30x11,5cm	5U	8,6kg	60x32x32cm	180U	320kg	100x120x207cm

PHOTOMETRY

Ra (IRC) : N/A

Beam angle : 120°

Nominal luminous flux : 600 lumens max.

Extractable light source : ALP02

Light source energy class : N/A

This swimming pool luminaire contains an extractable LED light source with color change not concerned by the EU2019/2015 and 2019/2020 regulations.

ELECTRICAL PARAMETERS

Instant power max : 16W

Input voltage : ~12V(AC) 50/60Hz or =20V(DC)

PF max : 0,7 if ~12V(AC)

PF max : 1 if =20V(DC)

Mini power supply with ~12V(AC) [(Pi /PF)+20%] : 28VA

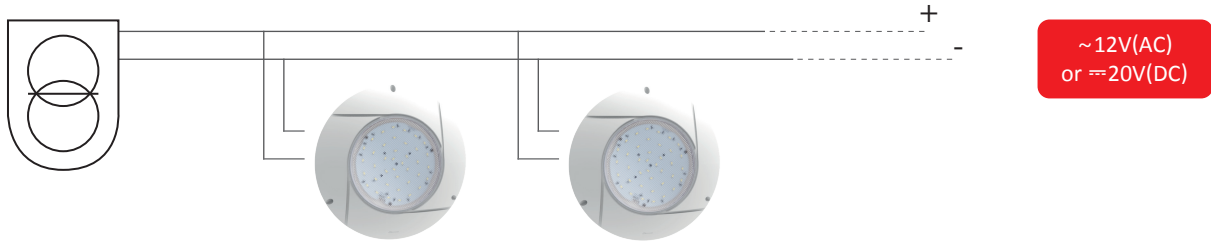
Electric class : III



CLASS III ~12V(AC)
=20V(DC)

CONNECTION

Use a 2 x 1mm² minimum cross section of connecting cable, to adapt according to the distance between the junction box of the projector and the transformer well as the power input.



USE ONLY WITH A SAFETY TRANSFORMER / DO NOT PLUG IN SERIES /
PROTECT THE CONNECTOR WITH INSULATING GEL

OTHER PARAMETERS

Protection index : IP68

LED life span : 15 000h

On/Off cycles : > 100 000

Use : This pool light is designed for use in permanent immersion in water with a IP68 waterproof rating. The spin welding assembly process of the optical part with its support, does not allow its reparability. The light source is not replaceable and in case of failure, it is necessary change all the luminaire.



CERTIFICATION

EMC 2014/30/EU Directive.

Radio RED 2014/53/EU Directive.

EN60598-1 / EN60598-2-18 Norm in all its modifications.

EMC Regulations 2016 (UK).

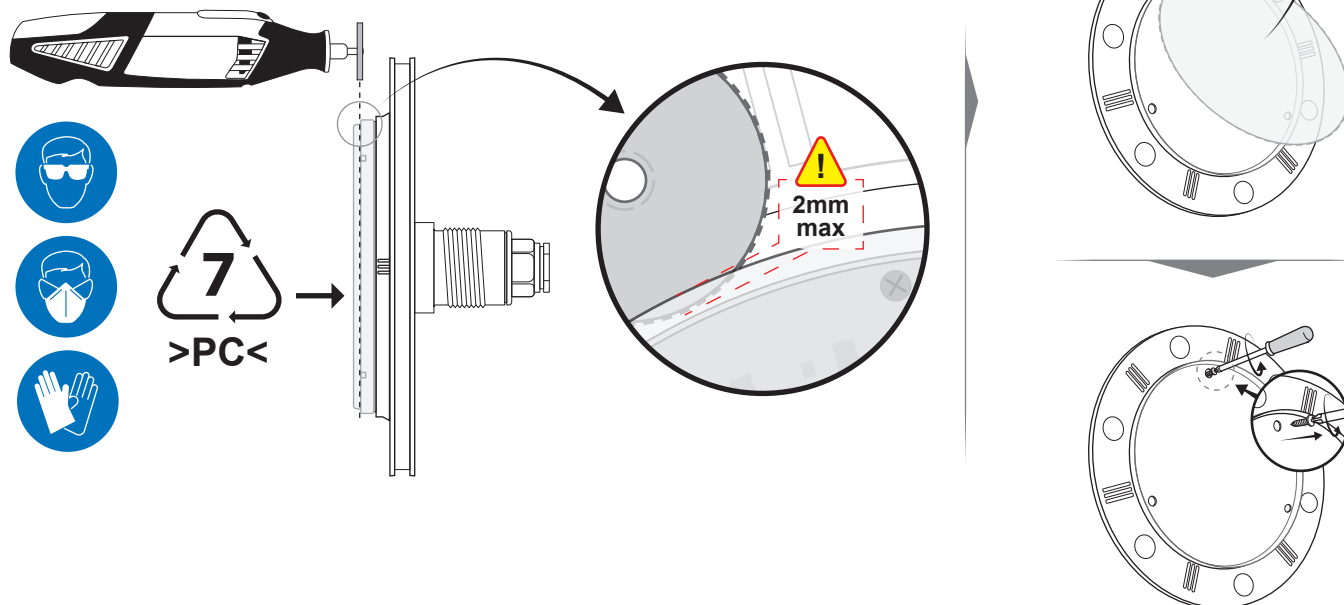
Electrical Equipment Regulations 2016 (UK).

Radio Equipment Regulations 2017 (UK).

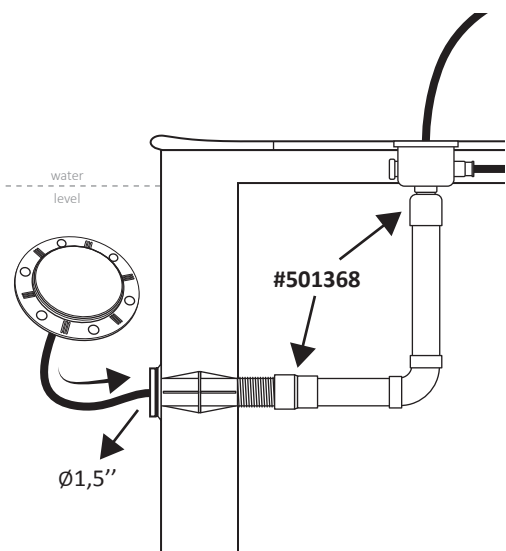


VARIOUS

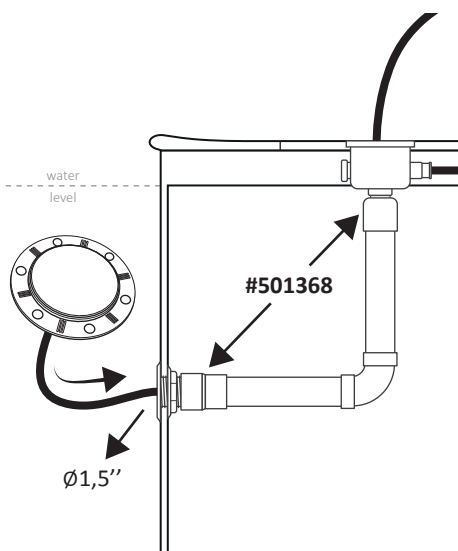
To extract the light source, please follow the instructions below :



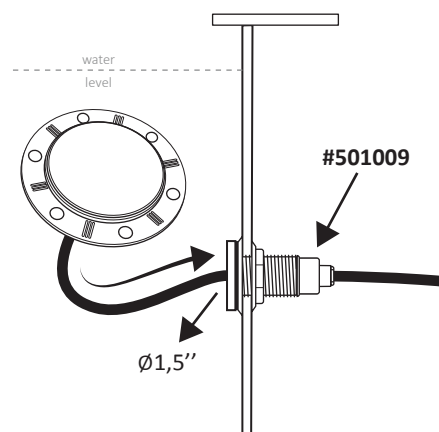
PRINCIPLE OF INSTALLATION



Example for in-ground pools with liners



Example for thin-walled in-ground pools



Example for above-ground pools

For more information, see the product leaflet