

## MINI LED PROJECTOR FOR SWIMMING POOL – WHITE LIGHTING

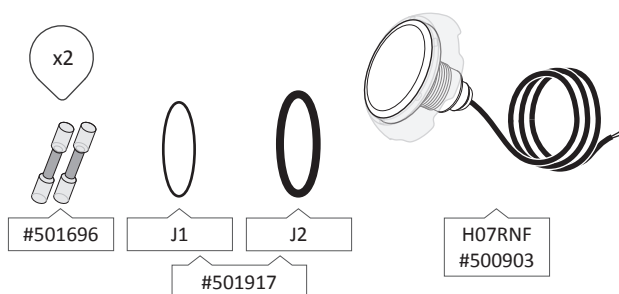


Model : **500859**  
 Type : 12 LED 5630 / 120°  
 Color : cold white 6500K  
 Control : On/Off  
 Material : Polycarbonate (PC)  
 1,5'' thread to screw in vacuum fitting  
 Wire connection : 2 screw terminals  
 2 meters HO7RNF wire 2x1,5mm<sup>2</sup>  
 Nomenclature : 9405421000  
 Code barre : 3700450500859

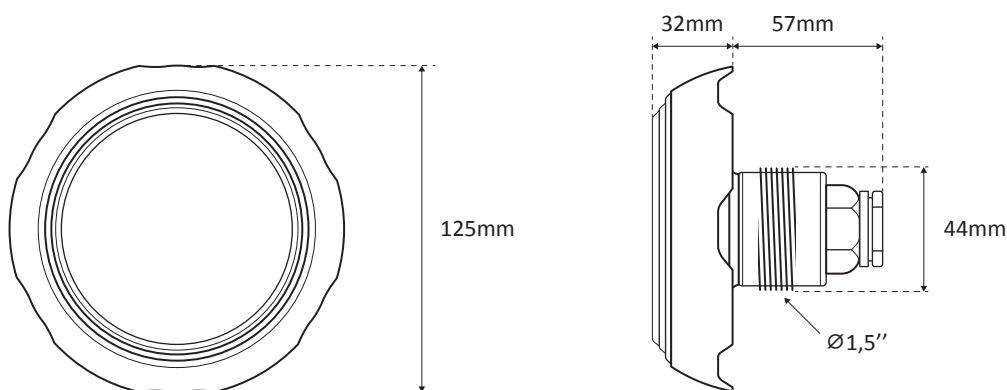
**Option :**

- Above ground pool installation kit (#501009)
- Inground pool installation kit (#501368)

### CONTENTS OF THE PACKAGING



### DIMENSIONS



### PACKING

Part Number	Box	Weight	Size	Carton	Weight	Size	Pallet	Weight	Size
500859	1U	0,56kg	15x15x15cm	6U	4kg	47x32x16cm	540U	370kg	100x120x167cm

### PHOTOMETRY

Ra (IRC) : 85  
 Beam angle : 120°  
 Nominal luminous flux : 540 lumens max.  
 Extractable light source : MPLW-LED  
 Light source energy class : E  
 This swimming pool luminaire contains an extractable LED light source of type MPLW-LED and energy class (E)



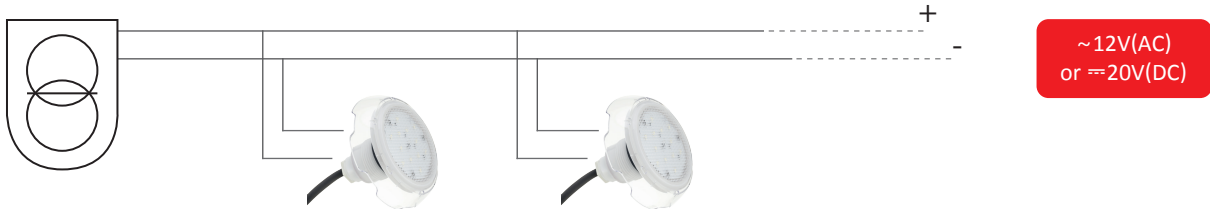
### ELECTRICAL PARAMETERS

Instant power max : 5W  
 Input voltage : ~12V(AC) 50/60Hz or =20V(DC)  
 PF max : 0,66 if ~12V(AC)  
 PF max : 1 if =20V(DC)  
 Mini power supply ~12V(AC) [(Pi /PF)+20%] : 9VA  
 Electric Class : III



### CONNECTION

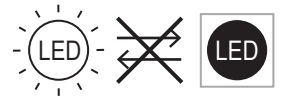
Use a 2 x 1mm<sup>2</sup> minimum cross section of connecting cable, to adapt according to the distance between the junction box of the projector and the transformer well as the power input.



USE ONLY WITH A SAFETY TRANSFORMER / DO NOT PLUG IN SERIES /  
PROTECT THE CONNECTOR WITH INSULATING GEL

### OTHER PARAMETERS

Protection index : IP68  
 LED life span : > 10 000h  
 On/Off cycles : > 100 000  
 Use : This pool light is designed for use in permanent immersion in water with a IP68 waterproof rating. The spin welding assembly process of the optical part with its support, does not allow its reparability. The light source is not replaceable and in case of failure, it is necessary change all the luminaire.



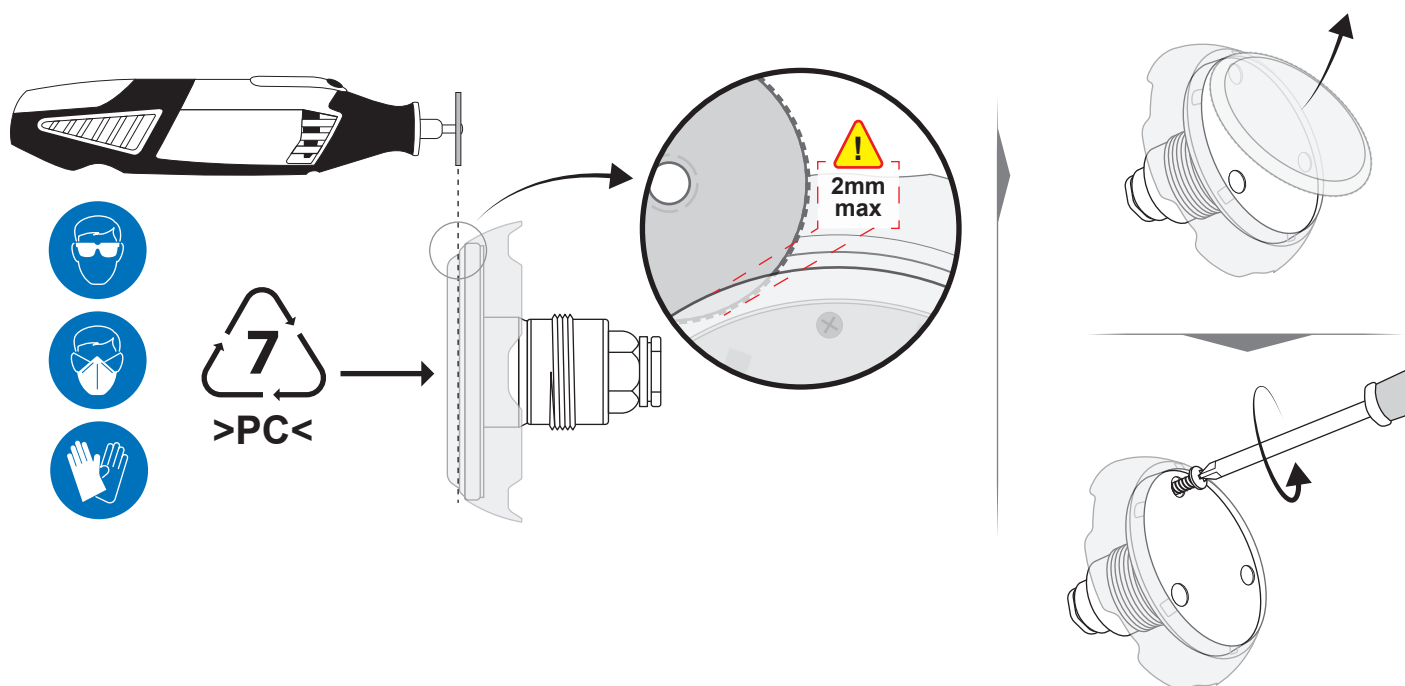
### CERTIFICATION

EMC 2014/30/EU Directive.  
 EN60598-1 / EN60598-2-18 Norm in all its modifications.  
 EMC Regulations 2016 (UK).  
 Electrical Equipment Regulations 2016 (UK).

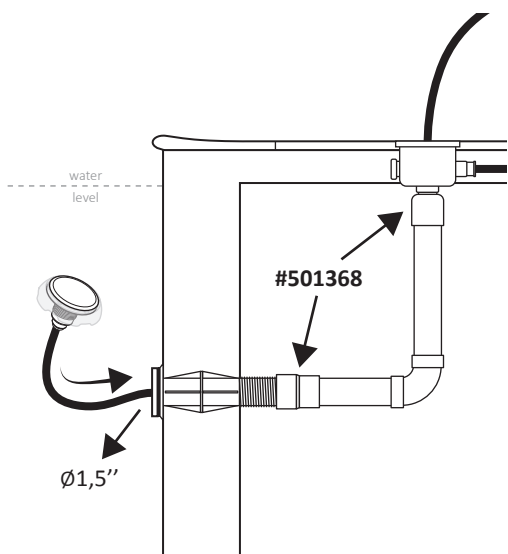


### VARIOUS

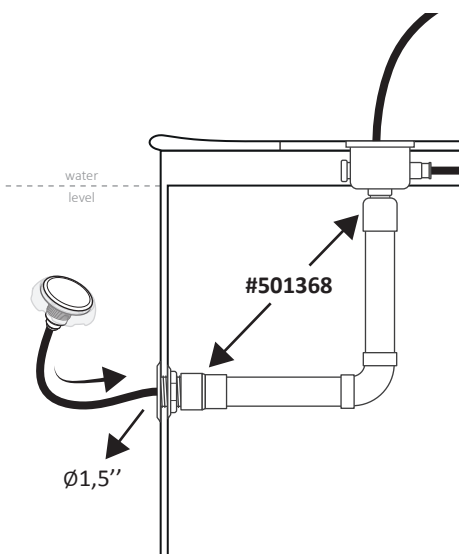
To extract the light source, please follow the instructions below :



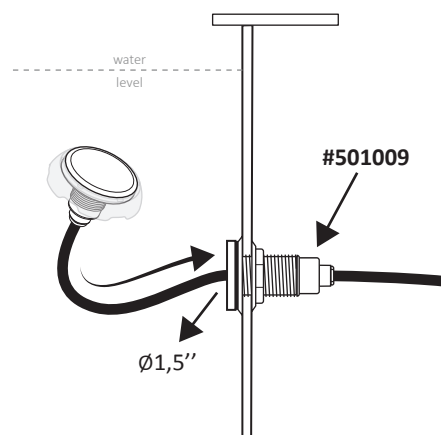
### PRINCIPLE OF INSTALLATION



Example for inground pool with liner



Example for inground pool polyester



Example for above-ground pool

For more information, see the product leaflet